

f : @kellyuniongroup

t : @KellyunionJames

i : @james.shang.798



Live a Carefree Life



Manufacturer

No.8, Zhugushi Chunyang Industrial Park,
Longgang Street, Longgang District,
Shenzhen City,Guangdong,China
Tel. +86 178 0259 5686
Email: sales@kellyunion.com

Branch

Room 2509,Building1,Financial City,
No.5,Shiji Avenue,Chengnan District,
Yancheng City, Jiansu,China
Tel. +86 177 1253 6198
Email: wendy@kellyunion.com



Website

CATALOGUE

2024 / 2025



E-CATALOG

BLOOD PRESSURE MONITOR
P03



POCKET ECG MACHINE
P13



AEROSOL THERAPY
P17



THERMOMETER
P31



BLOOD GLUCOSE METER
P39



SMART WATCH
P43



BREAST PUMP
P47



HUMIDIFIER
P57



SCALE
P63



BEAUTY & CARE
P77





BLOOD PRESSURE MONITOR



ARM TYPE

P07



WRIST TYPE

P10

ACCESSORIES

P11

Description

-
- Average value for the last 3 measurements

Irregular heart beat indicator

WHO blood pressure classification indicator

2×99 sets of memory

Wrist blood pressure monitor

Large display

USB Type-C

Bluetooth

Automatic off

Battery level indicator

Date and time indicator

Voice option

How to measure



No smoking, Coffee, food or Exercise before the measurement



Quiet environment



Appropriate temperature



Rest 3-5 minutes



Avoid talking during measurements.

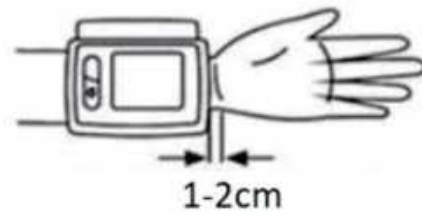
WRIST TYPE

1

Roll or push up your sleeve to expose the skin. Apply the cuff to your wrist with your palm facing up.

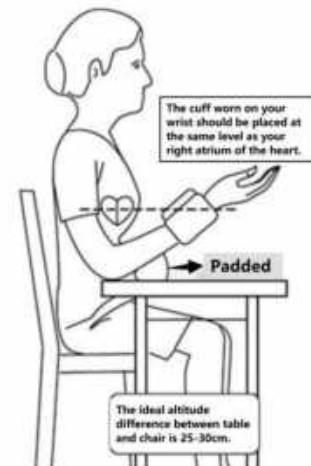
Position the edge of the cuff about 1 to 2cm from wrist joints.

Fasten the wrist cuff around your wrist, leaving no extra room between the cuff and your skin.



2

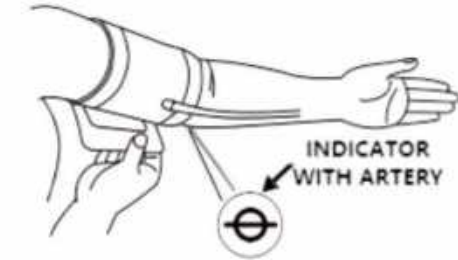
Sit comfortably with your tested wrist resting on a flat surface. Place your elbow on a table so that the cuff is at the same level as your heart. Turn your palm upwards and sit upright in a chair.



ARM TYPE

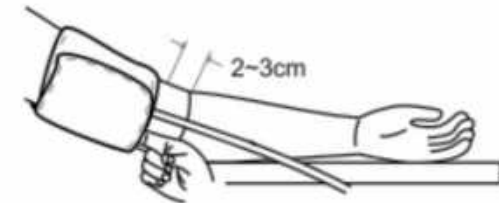
1

Roll or push up your sleeve to expose the skin. Make sure your sleeve is not too tight. Hold your arm with your palm facing up and tie the cuff on your upper arm, align the Artery indicator with the main Artery (on the inside of your arm).



2

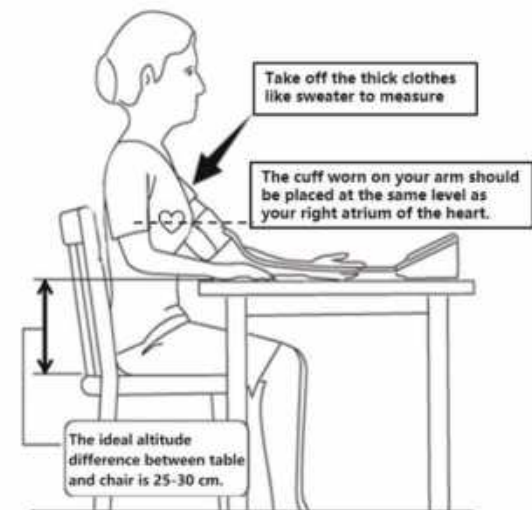
Make sure the bottom edge of the arm cuff 2 to 3 cm above the inside elbow. Then wrap the cuff securely.



3

Sit upright in a comfortable chair with your back against the backrest of the chair. Keep your feet flat and your legs uncrossed.

Place your arm resting comfortably on a flat table. The cuff worn on your arm should be placed at the same level as your right atrium of the heart.



RAK-291 Arm Type

Bluetooth



- Irregular heart beat indicator
- Average
- WHO scale
- 2×99 sets of memory
- Date and time indicator
- USB Type-C
- Battery level indicator
- Automatically off

Features

Power Supply	4×AAA batteries 1.5V or DC 5V type-C port
Memory	2×99 sets of memory
Unit Dimensions(L×W×H)	138×100×59mm
LCD Size(B×H)	73.9×83.7mm

Screen Options



RAK-298 Arm Type

Bluetooth



- Irregular heart beat indicator
- Average
- WHO scale
- 2×99 sets of memory
- Date and time indicator
- USB Type-C
- Battery level indicator
- Automatically off

Features

Power Supply	4×AAA batteries 1.5V or DC 5V type-C port
Memory	2×99 sets of memory
Unit Dimensions(L×W×H)	144.8×122.2×46mm
LCD Size(B×H)	105×73mm

Shell Color Optional



RAK-292 Arm Type

Bluetooth



- Irregular heart beat indicator
- Average
- WHO scale
- 2×99 sets of memory
- Date and time indicator
- USB Type-C
- Battery level indicator
- Automatically off

Features

Power Supply	4×AAA batteries 1.5V or DC 5V type-C port
Memory	2×99 sets of memory
Unit Dimensions(L×W×H)	139×94×43mm
LCD Size(B×H)	78×71mm

Bluetooth Connection



RAK-293 Arm Type



- Irregular heart beat indicator
- Average
- WHO scale
- 2×99 sets of memory
- Date and time indicator
- USB Type-C
- Battery level indicator
- Automatically off

Features

Power Supply	4×AAA batteries 1.5V or DC 5V type-C port
Memory	2×99 sets of memory
Unit Dimensions(L×W×H)	128×95×55mm
LCD Size(B×H)	80×74mm

Large Display



RAK-297 Arm Type



- Irregular heart beat indicator
- Average
- WHO scale
- 2x99 sets of memory
- Date and time indicator
- USB Type-C
- Battery level indicator
- Automatically off

Features

Power Supply	4xAAA batteries 1.5V or DC 5V type-C port
Memory	2x99 sets of memory
Unit Dimensions(LxWxH)	128x95x54mm
LCD Size(BxH)	67x58mm

RAK-296 Arm Type



- Irregular heart beat indicator
- Average
- WHO scale
- 2x99 sets of memory
- Date and time indicator
- USB Type-C
- Battery level indicator
- Automatically off

Features

Power Supply	4xAAA batteries 1.5V or DC 5V type-C port
Memory	2x99 sets of memory
Unit Dimensions(LxWxH)	128x95x54mm
LCD Size(BxH)	69x59mm

RAK-295 Arm Type



- Irregular heart beat indicator
- Average
- WHO scale
- 2x99 sets of memory
- Date and time indicator
- USB Type-C
- Battery level indicator
- Automatically off

Features

Power Supply	4xAAA batteries 1.5V or DC 5V type-C port
Memory	2x99 sets of memory
Unit Dimensions(LxWxH)	128x95x55mm
LCD Size(BxH)	80x74mm

Large Display



FC-BP220 Wrist Type



- Irregular heart beat indicator
- Wrist blood pressure monitor
- Average
- WHO scale
- 2x99 sets of memory
- Date and time indicator
- Battery level indicator
- Automatically off

Features

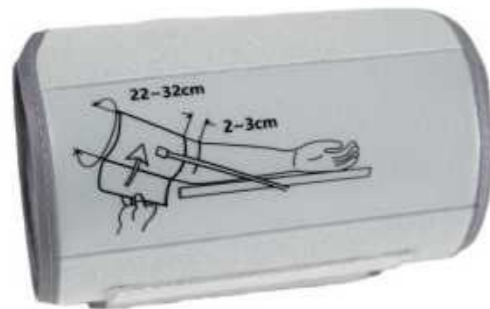
Power Supply	2xAAA batteries 1.5V
Memory	2x120 sets of memory
Unit Dimensions(LxWxH)	96x63x20mm
LCD Size(BxH)	76x58mm

Plastic Case Packing



Accessories

Cuff



Colour

Standard 1



Standard 2



Customized

Color and patterns

Size

Small 17-22cm

Standard 22-32cm

Length 22-42cm

Extended 22-45cm

Style

Standard



Curved



Roll



Disposable



Power Supply & Connectors



Adapter

EU/BS Standard



US Standard



Customized

Local adapter standard

Batteries

Alkaline



Carbon



Brand

BURSTO **PIXCELL**

Tube Connector

Standard



Curved



Customized

Shape and color



POCKET ECG MACHINE



ECG TYPE

P16



BPM+ECG TYPE

P16

Description



4.46" Touch screen



250g Light weight



Bluetooth



Glasgow algorithm



Hd Camera



Automatically off



Wi-Fi Transmission



>24H working time



Blood pressure



Micro USB port



ECG



Battery level indicator

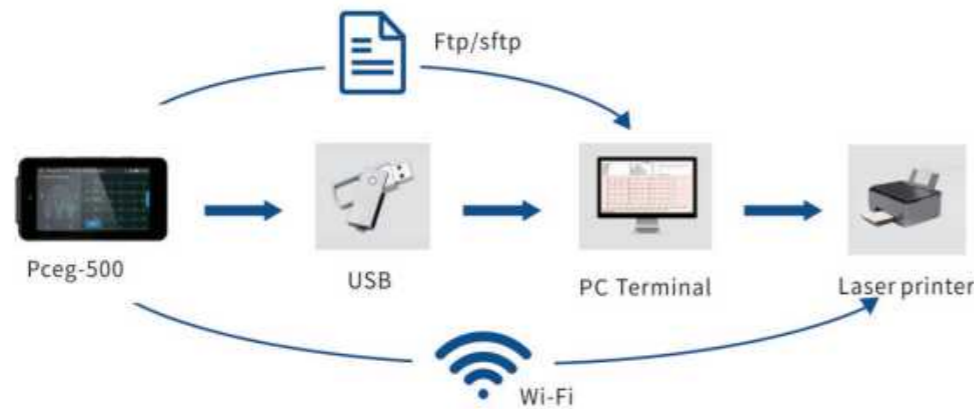
Data transfer functions



The ECG report can be sent to the remote via email, which is very convenient and fast.



Support multiple data transmission methods over a Wi-Fi network and printing ECG Reports via an external printer.



PCECG-500 Pocket ECG Machine



CE ISO FDA

- 4.46" Touch screen
- 250g Light weight
- Wi-Fi Transmission
- Glasgow algorithm
- >24H working time
- Hd Camera

Features

Power Supply	Rechargeable lithium battery
Display	4.46" touch screen
Transmission	Wi-Fi
Multi-lead Acquisition	6/12 Lead waveform
Camera	With HD camera

BP2 Cardio Blood Pressure Monitor



CE ISO FDA

- ECG
- Blood pressure
- Bluetooth
- Automatically off
- Micro USB port
- Battery level indicator

Features

Power Supply	Micro USB, DC 5V
Blood Pressure Measurement:	Systolic, diastolic blood pressure and pulse rate
ECG Measurement:	30s recording with internal electrodes
Sync Data To App:	Real-time monitoring and sharing report
Unit Dimensions (L×W×H)	135×45×20mm



AEROSOL THERAPY



MESH NEBULIZER

P21



DC COMPRESSOR NEBULIZER

P24



AC COMPRESSOR NEBULIZER

P25

ACCESSORIES

P28

Description



Battery or USB



Light&Portable



Quiet



Speed is adjustable



One key use



Small particles



Rechargeable



USB Type-C



Little liquid residue



Handsfree



Family use



Medical level



Portable



Low noise

How to clean

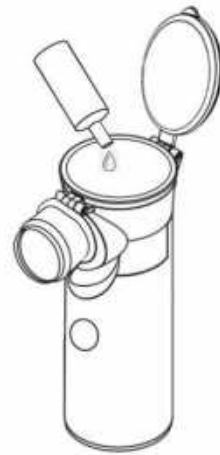
1

Open medical cover, pour the residual medical liquid in the medical bottle.



2

Remove mouthpiece from nebulizer.



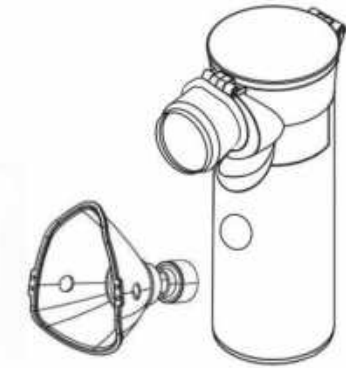
3

Put available hot pure water in medical bottle (Water temperature:30°C-60°C), and push [START/STOP] button for 5 seconds to cleaning mode and spraying 1-2 minutes to clean.



4

One hand to hold the main unit, and push behind of main unit [PUSH] button, the other hand hold two sides of medical bottle, pull follow slot parallel, remove medical bottle.



5

Clean inside and outside surface of medical bottle, mouthpiece and nozzle by pure water, after cleaning, dry moisture of mesh by medical gauze slightly, and disinfected with 75% alcohol.



UN100 Mesh Nebulizer



Battery or USB



Light & Portable



Quiet



Speed is Adjustable



One key use



Small Particles

Features

Power Supply	DC 3.7V 500mAh Battery or USB connector:DC 5V,1A
Particle Size	MMAD: <math><2.5\mu\text{m}</math>
Aerosol Output Rate	≥ 0.12 ml/min
Atomization Rate	≥ 0.25 ml/min
Unit Dimensions (L×W×H)	45×40×106mm

Art Printing



UN101 Mesh Nebulizer



Rechargeable



Light & Portable



Quiet



Speed is Adjustable



One key use



Small Particles

Features

Power Supply	DC 3.7V 500mAh Battery or USB connector:DC 5V,1A
Particle Size	MMAD: <math><2.5\mu\text{m}</math>
Aerosol Output Rate	≥ 0.12 ml/min
Atomization Rate	≥ 0.25 ml/min
Unit Dimensions (L×W×H)	40×35×116mm

Removable Atomizer Sheet



UN200 Mesh Nebulizer



Battery or USB



Light & Portable



Quiet



Speed is Adjustable



One key use



Small Particles

Features

Power Supply	DC 3.7V 500mAh Battery or USB connector:DC 5V,1A
Particle Size	MMAD: <math><2.5\mu\text{m}</math>
Aerosol Output Rate	≥ 0.12 ml/min
Atomization Rate	≥ 0.25 ml/min
Unit Dimensions (L×W×H)	50×51.6×122mm

With Digital Screen



UN300 Mesh Nebulizer



Battery or USB



Light & Portable



Quiet



Speed is Adjustable



One key use



Small Particles

Features

Power Supply	DC 3.7V 500mAh Battery or USB connector:DC 5V,1A
Particle Size	MMAD: <math><2.5\mu\text{m}</math>
Aerosol Output Rate	≥ 0.12 ml/min
Atomization Rate	≥ 0.25 ml/min
Unit Dimensions (L×W×H)	50×50×118mm

Art Printing



UN102 Mesh Nebulizer



USB Type-C



Light & Portable



Quiet



Speed is adjustable



Handsfree



Small particles

Features

Power Supply	DC 3.7V 500mAh Battery or USB connector:DC 5V,1A
Particle Size	MMAD: <math><5\mu\text{m}</math>
Aerosol Output Rate	$\geq 0.12\text{ml/min}$
Atomization Rate	$\geq 0.25\text{ ml/min}$
Unit Dimensions (L×W×H)	65×45×75mm

Nature-inspired



UN103 Mesh Nebulizer



USB Type-C



Light & Portable



Quiet



Speed is adjustable



Handsfree



Small particles

Features

Power Supply	DC 3.7V 500mAh Battery or USB connector:DC 5V,1A
Particle Size	MMAD: <math><5\mu\text{m}</math>
Residual Liquid	$\geq 0.12\text{ml/min}$
Atomization Rate	$\geq 0.25\text{ ml/min}$
Unit Dimensions (L×W×H)	50×42×40mm

Light Weight: Only 42g



UN106 Mesh Nebulizer



USB Type-C



Light & Portable



Quiet



Speed is adjustable



Handsfree



Small particles

Features

Power Supply	DC 3.7V 500mAh Battery or USB connector:DC 5V,1A
Particle Size	MMAD: <math><5\mu\text{m}</math>
Aerosol Output Rate	$\geq 0.12\text{ml/min}$
Atomization Rate	$\geq 0.25\text{ ml/min}$
Unit Dimensions (L×W×H)	60.8×44.5×55.7mm

Portable



AR06 DC Compressor Nebulizer



Family use



Speed is adjustable



Low noise



Light & Portable



Little liquid residue



Small particles

Features

Power Supply	AC 220V 50Hz 0.5A Output: DC 12V/1A
Particle Size	MMAD: $3.5\mu\text{m} \pm 25\%$
Compressor Air Flow Rate	$\geq 3.0\text{L/min}$
Average Nebulization Rate	$\geq 0.1\text{ml/min}$
Unit Dimensions (L×W×H)	125×74×47mm



RAK360 AC Compressor Nebulizer



Family use



Small particles



Little liquid residue



Medical level



Portable



Low noise

Features

Power Supply	AC 220V 50Hz
Particle Size	MMAD:4 μ m
Compressor Air Flow Rate	\geq 4.5L/min
Average Nebulization Rate	\geq 0.2ml/min
Unit Dimensions (L×W×H)	282×170×84mm

Storage Box



RAK360A3 AC Compressor Nebulizer



Family use



Small particles



Little liquid residue



Medical level



Portable



Low noise

Features

Power Supply	AC 220V 50Hz
Particle Size	MMAD:4 μ m
Compressor Air Flow Rate	\geq 4.5L/min
Average Nebulization Rate	\geq 0.2ml/min
Unit Dimensions (L×W×H)	230×190×90mm

RAK361 AC Compressor Nebulizer



Family use



Small particles



Little liquid residue



Medical level



Portable



Low noise

Features

Power Supply	AC 220V 50Hz
Particle Size	MMAD:3.5 μ m \pm 25%
Compressor Air Flow Rate	\geq 6.0L/min
Average Nebulization Rate	0.30~0.55ml/min
Unit Dimensions (L×W×H)	176×176×101mm

RAK362 AC Compressor Nebulizer



Family use



Small particles



Little liquid residue



Medical level



Portable



Low noise

Features

Power Supply	AC 220V 50Hz
Particle Size	MMAD:4 μ m
Compressor Air Flow Rate	\geq 8.0L/min
Average Nebulization Rate	\geq 0.2ml/min
Unit Dimensions (L×W×H)	186×156×95mm

RAK363 AC Compressor Nebulizer



Family use



Small particles



Little liquid residue



Medical level



Portable



Low noise

Features

Power Supply	AC 220V 50Hz
Particle Size	MMAD:4 μ m
Compressor Air Flow Rate	\geq 4.5L/min
Average Nebulization Rate	\geq 0.2ml/min
Unit Dimensions (LxWxH)	160x132x75mm

RAK363A AC Compressor Nebulizer



Family use



Small particles



Little liquid residue



Medical level



Portable



Low noise

Features

Power Supply	AC 220V 50Hz
Particle Size	MMAD:4 μ m
Compressor Air Flow Rate	\geq 4.5L/min
Average Nebulization Rate	\geq 0.2ml/min
Unit Dimensions (LxWxH)	150x150x100mm

RAK365 AC Compressor Nebulizer



Family use



Small particles



Little liquid residue



Medical level



Portable



Low noise

Features

Power Supply	AC 220V 50Hz
Particle Size	MMAD:4 μ m
Compressor Air Flow Rate	\geq 8.0L/min
Average Nebulization Rate	\geq 0.2ml/min
Unit Dimensions (LxWxH)	158x156x100mm

RAK366 AC Compressor Nebulizer



Family use



Small particles



Little liquid residue



Medical level



Portable



Low noise

Features

Power Supply	AC 220V 50Hz
Particle Size	MMAD:3.5 μ m \pm 25%
Compressor Air Flow Rate	\geq 6.0L/min
Average Nebulization Rate	0.30-0.55ml/min
Unit Dimensions (LxWxH)	210x170x110mm

Spacer for Aerosols



Features

Size	Adult, Child and Pediatric
Capacity	175ml/225ml/350ml
Color	Yellow and Blue
Packing	Blister packing with box
Material	Silicone & PETG

Three-Ball Spirometer



Features

Main Chamber Material	PS
Indicated Ball Material	ABS
Mouth Piece Material	PP
Size	136×71×144mm
Inspiratory Capacity Of Main Chamber	600ml/sec 900ml/sec 1200ml/sec

Accessories

Nebulizer Cup



Double-Way & One-Way Nebulizer	
Item No.	TW8520C
MMAD	2.58µm
Atomization Rate	0.5ml/min
FPF	> 76%
Capacity	≤ 8ml



Rotary Knob Nebulizer	
Item No.	Tw8810
MMAD	2.25µm
Atomization Rate	0.2-0.4ml/min
FPF	> 80%
Capacity	≤ 8ml



Low Starting Nebulizer	
Item No.	TW8520A
MMAD	2.58µm
Atomization Rate	0.2-0.6ml/min
FPF	> 72%
Capacity	≤ 8ml



Button Adjustment Nebulizer	
Item No.	TW8505E
MMAD	2.5µm
Atomization Rate	0.16-0.6ml/min
FPF	> 76%
Capacity	≤ 8ML



Nebulizer Kit With Mask & Tubing	
Size	XL/L3/L/M/S/XS
Item No	TW8345

Optional



Face Mask (adult/child)



Rotary Type Mask



Mouthpiece (one-way valve)



Mouthpiece



Elbow



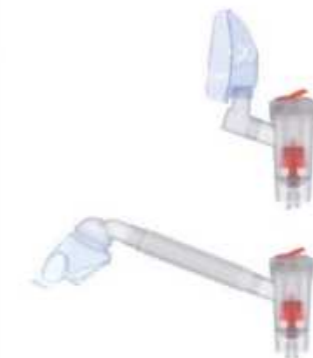
Silicone Nosepiece



Air Tube (wing shaped connector)



Air Tube (round shaped connector)





THERMOMETER



FOREHEAD THERMOMETER

P33



EAR THERMOMETER

P34



DIGITAL THERMOMETER

P35

Description



Forehead measure



Ear measure



32 Memory function



35 Memory function



Tri-color indicator light



Object room measure



One second reading



60 Sec



Fever warning



Jumbo LCD



Flexible



Waterproof



Last reading memory



Low battery alert



Auto off



Soft beep



Plastic case



Infrared technology

RAK-F103
Forehead



Forehead measure



32 Memory function



Object room measure



Fever warning



Tri-color indicator light



One second reading

Features

Power Supply	2×AAA batteries 1.5V
Memory	32 Memories
LCD Size	29×24mm
Unit Dimensions (L×W×H)	145×42×83mm

Three Color Backlight



NORMAL TEMP



LOW FEVER



HIGH FEVER

FC-IR207
Forehead



Forehead measure



35 Memory function



Object room measure



Fever warning



Tri-color indicator light



One second reading

Features

Power Supply	2×AAA batteries 1.5V
Memory	35 Memories
LCD Size	23.2×21.6mm
Unit Dimensions (L×W×H)	157×35×36mm

LED Indicator



NORMAL TEMP



LOW FEVER



HIGH FEVER

KFT-28
Forehead



Forehead measure



32 Memory function



Object room measure



Fever warning



Tri-color indicator light



One second reading

Features

Power Supply	2×AAA batteries 1.5V
Memory	64 Memories
LCD Size	27×27mm
Unit Dimensions (L×W×H)	155×67×67mm

Cute Shape



FC-IR109
Ear



Ear measure



35 Memory function



Object room measure



Fever warning



Tri-color indicator light



One second reading

Features

Power Supply	2×AAA batteries 1.5V
Memory	35 Memories
LCD Size	23.5×27.5mm
Unit Dimensions (L×W×H)	155.5×35×65.5mm

Basic Model Optional



PT-01B Digital Thermometer



60 Sec



Fever warning



Last reading memory



Auto off



Soft beep



Low battery alert

Features

Power Supply	1.5V (LR41 or LR41H)
Measurement Range	32.0°C-42.9°C(90.0°F-109.2°F)
Test Time	20/30/60 seconds optional
LCD Size	20×7.5mm
Unit Dimensions (L×W×H)	128.5×17.6×9.4mm

Multicolor



PT-01D Digital Thermometer



60 Sec



Fever warning



Last reading memory



Auto off



Soft beep



Low battery alert

Features

Power Supply	1.5V (LR41 or LR41H)
Measurement Range	32.0°C-42.9°C(90.0°F-109.2°F)
Test Time	20/30/60 seconds optional
LCD Size	20×7.5mm
Unit Dimensions (L×W×H)	127×18×10mm

Multicolor



JJA-02-01 Digital Thermometer



60 Sec



Fever warning



Last reading memory



Auto off



Waterproof



Low battery alert

Features

Power Supply	1.5V (LR41 or LR41H)
Measurement Range	32.0°C-42.9°C(90.0°F-109.2°F)
Test Time	20/30/60 seconds optional
LCD Size	20×7.5mm
Unit Dimensions (L×W×H)	123×18.7×10.5mm

Multicolor / No Metal Tip



PT-11A Digital Thermometer



60 Sec



Fever warning



Last reading memory



Auto off



Waterproof



Low battery alert

Features

Power Supply	1.5V (LR41 or LR41H)
Measurement Range	32.0°C-42.9°C(90.0°F-109.2°F)
Test Time	20/30/60 seconds optional
LCD Size	20×7.5mm
Unit Dimensions (L×W×H)	129×17.6×9.4mm

Multicolor



PT-101C Digital Thermometer



60 Sec



Fever warning



Last reading memory



Auto off



Soft beep



Flexible

Features

Power Supply	1.5V (LR41 or LR41H)
Measurement Range	32.0°C-42.9°C(90.0°F-109.2°F)
Test Time	20/30/60 seconds optional
LCD Size	20×7.5mm
Unit Dimensions (L×W×H)	126×18.5×10mm

Multicolor



PT-111H Digital Thermometer



60 Sec



Fever warning



Last reading memory



Auto off



Waterproof



Flexible

Features

Power Supply	1.5V (LR41 or LR41H)
Measurement Range	32.0°C-42.9°C(90.0°F-109.2°F)
Test Time	20/30/60 seconds optional
LCD Size	20×7.5mm
Unit Dimensions (L×W×H)	124×19×12mm

Multicolor



PT-02E Digital Thermometer



10 Sec



Fever warning



Last reading memory



Auto off



Soft beep



Flexible

Features

Power Supply	1.5V LR41H
Measurement Range	32.0°C-42.9°C(90.0°F-109.2°F)
Test Time	15 seconds optional
LCD Size	34×28mm
Unit Dimensions (L×W×H)	140×34×16mm

Multicolor



YD-207 Digital Thermometer



60 Sec



Fever warning



Last reading memory



Auto off



Waterproof



Flexible

Features

Power Supply	1.5V (LR41 or LR41H)
Measurement Range	32.0°C-42.9°C(90.0°F-109.2°F)
Test Time	20/30/60 seconds optional
LCD Size	20×7mm
Unit Dimensions (L×W×H)	140×29×12mm

Various Cartoon Head





BLOOD GLUCOSE METER



REGULAR TYPE

P41



CONTINUOUS TYPE

P41

ACCESSORIES

P42

Description



250 times memory function



Insert & Using



Blood volume 1 ul



Date management



No coding



7 Seconds reading



Bluetooth



24/7 Monitoring



No fingersticks



Comfortable & Easy to wear



Helpful trend chart



Customizable alerts & Notifications

KH-100 Blood Glucose Meter



250 times memory function



Insert & Using



Blood volume 1 ul



Date management



No coding



7 Seconds reading

Features

Power Supply	3V CR2032
Measurement Range	1.1-33.3mmol/L(20-600mg/dL)
Blood Volume	1 ul
Test Time	7 Seconds
Unit Dimensions (L×W×H)	89×57×19mm

RGMS-II Continuous Glucose Monitoring System



Bluetooth



24/7 Monitoring



No fingersticks



Comfortable & Easy to Wear



Helpful trend chart



Customizable alerts & Notifications

Features

Power Supply	3V CR2016
Measurement Range	1.7 mmol/L-40.0 mmol/L (30.6-720 mg/dL)
Sensor Use Time	Continuous use more than 72 hours
Display	Phone
Unit Dimensions (L×W×H)	30×25×8mm



LDE4 Adjustable Lancing Device With Ejector



Adjust blood depth according to finger skin thickness



Deep cleaning and health



Adjustable



Partner of blood glucose meter



SSC



Compact size

Features

Depths Adjustment	9
Technology	SSC "shock absorption and pain reduction"
Color	Grey/White
Patent Design	Complete cleansing and improved hygiene
Unit Dimensions	Diameter: 16mm, height: 102mm

Accessories

Lancets



Color	Soft Reorder#	Gauge
	01-0133	33G needle
	01-0130	30G needle
	01-0128	28G needle
	01-0126	26G needle
	01-0123	23G needle
	01-0121	21G needle
Package	100 pcs/box	1,000 pcs/case



SMART WATCH



SPORT WATCH

P45



MEDICAL GRADE WATCH

P45

Description



Kcal



Walking step



ECG



Heart rate



Blood pressure monitoring



Blood oxygen



Sleep monitoring



Workouts



Find phone



Incoming calls and messages notifications



Thermometer monitoring



Activity control: ps, calories, distance



Respiratory rate



Light

C6 Sport Watch



- Heart rate
- Blood pressure monitoring
- Blood oxygen
- Thermometer monitoring
- Activity control: ps, calories, distance
- Light
- Kcal
- Walking step

Features

Support System	iOS 8.4 and above / Android 4.4 and above
Bluetooth Version	4.0BLE
Display Resolution	160x80
Languages	Chinese, English

Temperature Test



P300 Smart Watch(BPM+ECG)



- Multiple sports modes
- Health monitoring
- Air pump pressurization technology
- All-weather
- Sleep temperature monitoring
- Remote care for family and friends

Features

Supported Systems	iOS 8.2 or above, Android 8 or above
Bluetooth Version	5.1
Display Resolution	240x280
Languages	Chinese, English, Traditional Chinese, Russian, German, French, Japanese, etc.

Air Pump



G08 Smart Watch (ECG)



- ECG
- Heart rate
- Blood pressure monitoring
- Blood oxygen
- Sleep monitoring
- Kcal
- Find phone
- Incoming calls and messages notifications

Features

Support System	iOS 8.2 and above / Android 4.4 and above
Bluetooth Version	5.1BLE (low power consumption)
Display Resolution	240x240
Languages	Chinese, English, Japanese, French, German, Italian, Spanish, Russian, Portuguese

Multicolor



P70 Smart Watch(BPM+ECG)



- ECG
- Heart rate
- Blood pressure monitoring
- Blood oxygen
- Sleep monitoring
- Workouts
- Thermometer monitoring
- Incoming calls and messages notifications

Features

Support System	iOS 8.2 and above / Android 4.4 and above
Bluetooth Version	4.2BLE (low power consumption)
Display Resolution	360x360
Languages	Chinese, English, Traditional, Japanese, French, German, Italian, Spanish, Russian, Portuguese, Malay, Korean, Polish

Air Pump+ECG





BREAST PUMP



MANUAL BREAST PUMP

P51



SINGLE SIDE ELECTRIC BREAST PUMP

P51



DOUBLE SIDE ELECTRIC BREAST PUMP

P52



INTEGRATED ELECTRIC BREAST PUMP

P53



WEARABLE ELECTRIC BREAST PUMP

P54

ACCESSORIES

P55

Description



Easy assembly and disassembly



Easy to clean and assemble



Fully soft silicone shield design



Materials BPA-free



Smart and portable



Separates the milk and air design



9 level massage to stimulate the breast



9 level suction power



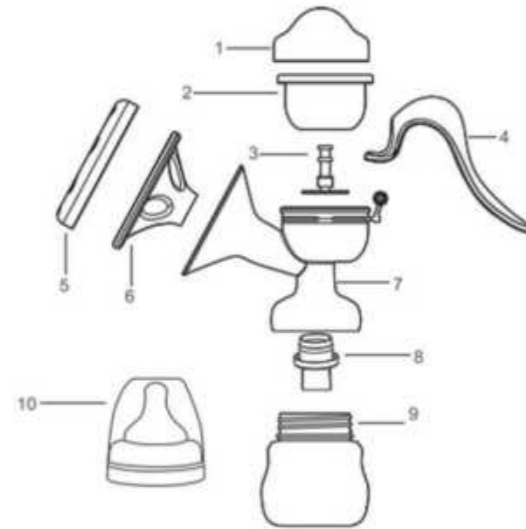
Stimulation Mode & Expression Mode & Mixed mode



Super quiet

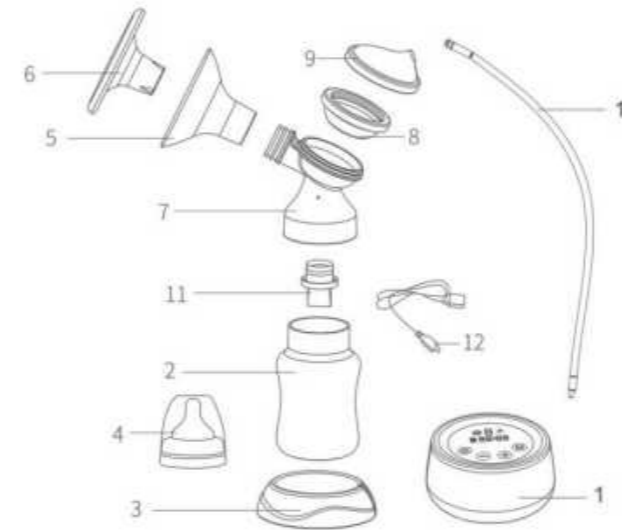
Structure of a breast pump

MANUAL BREAST PUMP



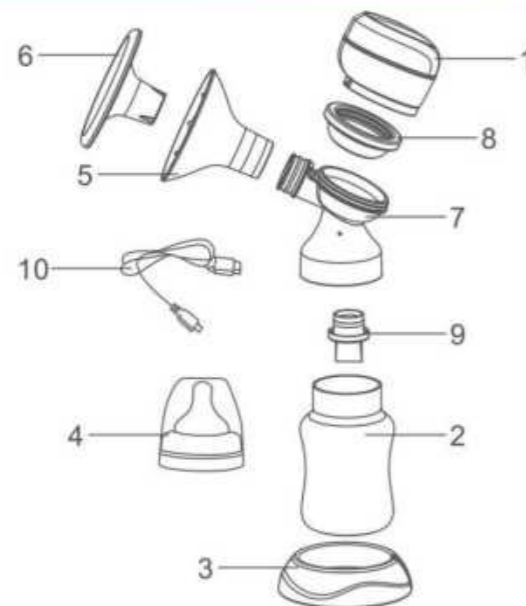
- 1-Suction bowl cap x1
- 2-Suction bowl x1
- 3-Mode pin x1
- 4- Handle x1
- 5- Breast shield cover x1
- 6- Breast shield x1
- 7- Pump connector x1
- 8- Valve x1
- 9- PP milk bottle x1
- 10- Bottle teat set x1
- 11-User Manual x1

SINGLE SIDE ELECTRIC BREAST PUMP



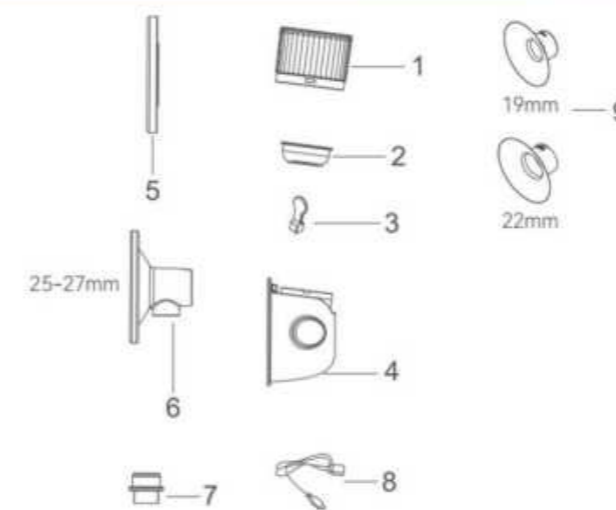
- 1- Pump x1
- 2-PP milk bottle x1(150ml)
- 3-Bottle base x1
- 4-Bottle teat set x1
- 5- Breast shield x1
- 6- Breast shield cover x1
- 7- Connector Body x1
- 8- Suction bowl x1
- 9-Suction bowl cap x1
- 10-PVC Tube x1
- 11- Valve x2
- 12-Charging cable x1
- 13-User Manual x1

INTEGRATED ELECTRIC BREAST PUMP



- 1. Pump x1
- 2. PP milk bottle x1(150ml)
- 3. Bottle base x1
- 4. Bottle teat set x1
- 5. Breast shield x1
- 6. Breast shield cover x1
- 7. Connector x1
- 8. Suction bowl x1
- 9. Valve x2
- 10. Charging Cable x1
- 11. User manual x1

WEARABLE ELECTRIC BREAST PUMP



- 1. Pump x1
- 2. Diaphragm x1
- 3. Silicone Stopper x2
- 4. Milk Cup(150ml) x1
- 5. Dust Cap x1
- 6. Breast Shield x1
- 7. Valve x2
- 8. Charging Cable x1
- 9. Insert (19mm/22mm) x1
- 10. User manual x1

D-111 Manual Breast Pump



CE ISO

- Easy assembly and disassembly
- Easy to clean and assemble
- Fully soft silicone shield design
- Materials BPA-free
- Smart and portable
- Separates the milk and air design

Features

Milk Bottle Capacity	150ml
Material	PP + Silicone
Advantage	2-speed Suction Adjustment
Color	White, Purple, Blue, Yellow

DQ-S006 Single Side Electric Breast Pump



CE ISO

- level massage to stimulate the breast
- level suction power
- Stimulation Mode & Expression Mode & Mixed mode
- Super quiet
- Materials BPA-free
- Easy assembly and disassembly

Features

Milk Bottle Capacity	150ml
Power Supply	1500mAh
Working Time	150 minutes
Advantage	High frequency vibration to stimulate the milk expression

RH-318BB Double Side Electric Breast Pump



CE ISO

- level massage to stimulate the breast
- level suction power
- Stimulation Mode & Expression Mode & Mixed mode
- Super quiet
- Materials BPA-free
- Easy assembly and disassembly

Features

Milk Bottle Capacity	180ml×2
Power Supply	1200mAh
Working Time	150 minutes
Charging Time	2.5 hours

D-119(BB) Double Side Electric Breast Pump



CE ISO

- level massage to stimulate the breast
- level suction power
- Stimulation Mode & Expression Mode & Mixed mode
- Super quiet
- Materials BPA-free
- Easy assembly and disassembly

Features

Milk Bottle Capacity	180ml×2
Power Supply	2000mAh
Working Time	150 minutes
Charging Time	2.5 hours

DQ-S058 Integrated Electric Breast Pump



level massage to stimulate the breast



level suction power



Stimulation Mode & Expression Mode & Mixed mode



Super quiet



Materials BPA-free



Easy assembly and disassembly

Features

Milk Bottle Capacity	180ml
Power Supply	900mAh
Working Time	150 minutes
Charging Time	2.5 hours

D-201 Integrated Electric Breast Pump



level massage to stimulate the breast



level suction power



Stimulation Mode & Expression Mode & Mixed mode



Super quiet



Materials BPA-free



Easy assembly and disassembly

Features

Milk Bottle Capacity	180ml
Power Supply	1000mAh
Working Time	150 minutes
Charging Time	2.5 hours

D-116 Wearable Electric Breast Pump



level massage to stimulate the breast



level suction power



Stimulation Mode & Expression Mode & Mixed mode



Super quiet



Materials BPA-free



Easy assembly and disassembly

Features

Milk Bottle Capacity	210ml
Power Supply	2000mAh
Working Time	150 minutes
Charging Time	2.5 hours

DQ-S19 Single Side Electric Breast Pump



level massage to stimulate the breast



level suction power



Stimulation Mode & Expression Mode & Mixed mode



Super quiet



Materials BPA-free



Easy assembly and disassembly

Features

Milk Bottle Capacity	140ml
Power Supply	1500mAh
Working Time	150 minutes
Charging Time	2.5 hours

DQ-S08

Wearable Electric Breast Pump



- level massage to stimulate the breast
- level suction power
- Stimulation Mode & Expression Mode & Mixed mode
- Super quiet
- Materials BPA-free
- Easy assembly and disassembly

Features

Milk Bottle Capacity	210ml
Power Supply	1200mAh
Working Time	150 minutes

DQ-N01

Milk Warmer



- 40°C Look in nutrients
- Heating complementary foods
- Accurate temperature control
- Quickly warm milk
- Constant temperature all day
- Double bottle design
- Strictly select materials
- Electricity protection

Features

Thermostat Range	36°C-100°C(+5°C)
Disinfection power	150W
Material	Food Grade PP

DQ-S002

Milk Collector



- Easy assembly and disassembly
- Easy to clean and assemble
- Fully soft silicone shield design
- Materials BPA-free
- Smart and portable
- Separates the milk and air design

Features

Suction Power	-0.03KPa
Capacity	100ml
Material	PP + Silicone



Milk Storage Bag



- Anxious and tasteless
- BPA free
- Electron beam sterilization
- Independent spout
- Convenient to record
- Leak proof and explosion proof
- Food grade material
- Easy to tear seal

Features

Material	PE
Capacity	200ml
Material Feature	BPA Free



HUMIDIFIER



TOP FILLING HUMIDIFIER

P59



WARM MIST HUMIDIFIER

P60



FLOOR TYPE HUMIDIFIER

P60



BOTTOM FILLING HUMIDIFIER

P61

Description



2.8L Capacity



3.0L Capacity



4.2L Capacity



Digital display



Easy to clean



Burned protection



Silent humidification



Essential oil aromatherapy



Heating to 40°C



Switchable mode



Separate design



Big capacity

APJ-D623 Top Filling Humidifier



2.8L Capacity



Burned protection



Easy to clean



Essential oil aromatherapy



Silent humidification



Switchable mode

Features

Capacity	2.8L
Voltage/Power	AC 220V/50Hz /30W
Product Size(L×W×H)	180×213×210mm
Evaporation Volume	200ml/h

Color:White/Customized



APJ-D617 Top Filling Humidifier



4.2L Capacity



Burned protection



Easy to clean



Essential oil aromatherapy



Silent humidification



Digital display

Features

Capacity	4.2L
Voltage/Power	AC 220V/50Hz /25W
Product Size(L×W×H)	185×185×310mm
Evaporation Volume	350-400ml/h

Color:White/Customized



APJ-905 Warm Mist Humidifier



4.5L Capacity



Burned protection



Easy to clean



Essential oil aromatherapy



Heating to 40°C



Digital display

Features

Capacity /warm Mist Version	4.5L /40°C warm mist
Voltage/Power	AC 220V/50Hz 25W cold mist,85W warm mist
Product Size(L×W×H)	205×190×320mm
Evaporation Volume	350-390ml/h

Warm Mist



APJ-D602 Floor Type Humidifier



3.0L Capacity



Burned protection



Separate design



Essential oil aromatherapy



Silent humidification



Digital display

Features

Capacity	3.0L
Voltage/Power	AC 220V/50Hz /25W
Product Size(L×W×H)	198×198×860mm
Evaporation Volume	300ml/h

Color:White/Customized



APJ-J613 Bottom Filling Humidifier



4.8L Capacity



Burned protection



Switchable mode



Easy to clean



Essential oil aromatherapy



Silent humidification

Features

Capacity	4.8L/3.2L
Voltage/Power	AC 220V/50Hz/25W
Product Size(L×W×H)	205×205×305mm
Evaporation Volume	250ml/h

Color:White/Blue/Customized



APJ-J612 Bottom Filling Humidifier



4.8L Capacity



Burned protection



Switchable mode



Easy to clean



Essential oil aromatherapy



Silent humidification

Features

Capacity	4.8L
Voltage/Power	AC 220V/50Hz/25W
Product Size(L×W×H)	205×205×320mm
Evaporation Volume	250ml/h

Color:White/Black/Customized



APJ-D605 Bottom Filling Humidifier



5.0L Capacity



Burned protection



Easy to clean



Essential oil aromatherapy



Silent humidification



Digital display

Features

Capacity	5.0L
Voltage/Power	AC 220V/50Hz/25W
Product Size(L×W×H)	200×200×315mm
Evaporation Volume	350-400ml/h

Color:White/Black/Customized



APJ-A909 Bottom Filling Humidifier



5.0L Capacity



Burned protection



Easy to clean



Essential oil aromatherapy



Silent humidification



Big capacity

Features








Capacity	5.0L
Voltage/Power	AC 220V/50Hz /25W
Product Size(L×W×H)	300×195×245mm
Evaporation Volume	250ml/h

Large Capacity





SCALE

- 
REGULAR TYPE P65
- 
BMI WITHOUT BLUETOOTH P68
- 
BLUETOOTH TYPE P68
- 
BABY TYPE P71
- 
MECHANICAL TYPE P73
- 
HEIGHT METER P74
- 
BODY COMPOSITION ANALYSIS SCALE P76

Description

-  Weight
  High accuracy
  Touch buttons
-  LCD display
  Easy-to-read
  Natural bamboo
-  Fast measurement
  Automatically off
  Baby scale
-  Voice
  Anti-slip design
  Height measurement
-  Large size
  Customizable voice
  Large size tray
-  Bluetooth
  Test 18 body data
  ABS plastic case
-  Mem Last measuring memory
  Max 8 users
  Integrated scale
-  ECG
  ITO
  No batteries
-  Micro USB port
  A wide range of measuring
  0.1cm accurate measurement

KS-B549

Regular



Weight



High accuracy



LCD display



Easy-to-read



Fast measurement



Automatically off

Features

Power Supply	2×AAA batteries 1.5V
Capacity	3-180kg/6.6-396lbs
Boot Up Weight	5kg
Glass Size	28×280×5mm
Display Size	60×24mm
Unit Dimensions (L×W×H)	280×280×25mm *R10

KS-B8003

Regular



Weight



High accuracy



LCD display



Voice



Fast measurement



Automatically off

Features

Power Supply	2×AAA batteries 1.5V
Capacity	3-180kg/6.6-396lbs
Boot Up Weight	5kg
Glass Size	280×280×6mm
Display Size	73×28.5mm
Unit Dimensions (L×W×H)	280×280×25mm *R3

Customizable Voice



KS-B8012

Regular



Weight



High accuracy



LCD display



Large size



Fast measurement



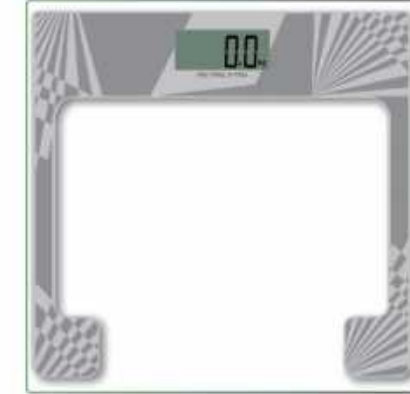
Automatically off

Features

Power Supply	2×AAA batteries 1.5V
Capacity	3-180kg/6.6-396lbs
Boot Up Weight	5kg
Glass Size	280×280×6mm
Display Size	73×28.5mm
Unit Dimensions (L×W×H)	300×300/280×280×25mm *R3

KS-2004

Regular



Weight



High accuracy



LCD display



Large size



Fast measurement



Automatically off

Features

Power Supply	2×AAA batteries 1.5V
Capacity	3-180kg/6.6-396lbs
Boot Up Weight	5kg
Glass Size	300×300×6mm
Display Size	71×34mm
Unit Dimensions (L×W×H)	300×300×20mm *R3

Different Shapes Edition



KS-B8036

Regular



Weight



High accuracy



LCD display



Easy-to-read



Fast measurement



Automatically off

Features

Power Supply 2×AAA batteries 1.5V

Capacity 3-180kg/6.6-396lbs

Boot Up Weight 5kg

Glass Size Circular 300×5mm

Display Size 61×24mm

Unit Dimensions (L×W×H) 300×300×23mm

Front Panel Optional



KS-B1326

Regular



Weight



High accuracy



LCD display



Easy-to-read



Fast measurement



Automatically off

Features

Power Supply 2×AAA batteries 1.5V

Capacity 3-180kg/6.6-396lbs

Boot Up Weight 5kg

Bambo size 280×280×10mm

Display Size 73×28.5mm

Unit Dimensions (L×W×H) 280×280×25mm *R10

Natural Bamboo



Circular Edition



KS-F1302

BMI without Bluetooth



Max 10 users



Last measuring memory



Test 6 body data



Touch buttons



Fast measurement



Automatically off

Features

Power Supply 2×AAA batteries 1.5V

Capacity 3-180kg/6.6-396lbs

Boot Up Weight 5kg

Glass Size 280×280×6mm

Display Size 66×49mm

Unit Dimensions (L×W×H) 300×300/280×280×25mm *R3

KS-FL549

Bluetooth



Bluetooth



High accuracy



Test 18 body data



Max 8 users



LCD display



Automatic switch-on

Features

Power Supply 2×AAA batteries 1.5V

Capacity 3-180kg/6.6-396lbs

Boot Up Weight 5kg

Glass Size 280×280×4.5mm

Display Size 60×24mm

Unit Dimensions (L×W×H) 280×280×25mm *R10

KS-BF8028

Bluetooth



Bluetooth



High accuracy



Test 18 body data



Max 8 users



LCD display



Automatic switch-on

Features

Power Supply 2×AAA batteries 1.5V

Capacity 3-180kg/6.6-396lbs

Boot Up Weight 5kg

Glass Size 280×280×6mm

Display Size 73×30mm

Unit Dimensions (L×W×H) 280×280×25mm *R25

LED Display Edition



Rechargeable Edition



KS-BF8011

Bluetooth



Bluetooth



High accuracy



Test 18 body data



Max 8 users



ITO



Automatic switch-on

Features

Power Supply 4×AAA batteries 1.5V

Capacity 3-180kg/6.6-396lbs

Boot Up Weight 5kg

Glass Size 300×300×6mm

Display Size 72×28mm

Unit Dimensions (L×W×H) 300×300×25mm *R35

KS-FL565

Bluetooth



Bluetooth



High accuracy



Test 30 body data



Max 8 users



LCD display



Automatic switch-on

Features

Power Supply 3×AAA batteries 1.5V

Capacity 3-180kg/6.6-396lbs

Boot Up Weight 5kg

Glass Size 280×280×6mm

Display Size 70×90mm

Unit Dimensions (L×W×H) 280×280×25mm *R35

ECG Test



KS-FL562

Bluetooth



Bluetooth



High accuracy



Test 30 body data



Max 8 users



LCD display



Automatic switch-on

Features

Power Supply 2×AAA batteries 1.5V

Capacity 3-180kg/6.6-396lbs

Boot Up Weight 5kg

Glass Size 340×360×6mm

Display Size 70×90mm

Unit Dimensions (L×W×H) 340×360×25mm *R10

8 Electrodes



KS-Y526

Baby Type



Baby scale



High accuracy



LCD display



Easy-to-read



Fast measurement



Automatically off

Features

Power Supply	2×CR2032 batteries 3V
Capacity	0.5-100kg
Tray Size	530×270mm
Glass Size	300×300×5mm
Unit Dimensions (L×W×H)	530×300×50mm

Multifunctional



KS-YE8005

Baby Type



Baby scale



Integrated scale



LCD display



ABS plastic case



Fast measurement



Automatically off

Features

Power Supply	2×AAA batteries 1.5V
Capacity	0.01-20kg
Baby platform Size	560×260mm
Unit	kg/lb/st
Unit Dimensions (L×W×H)	545×323×35mm

Integrated



KS-YE8008

Baby Type



Baby scale



Height measurement



Large size tray



LCD display



Fast measurement



Automatic switch-on

Features

Power Supply	4×AAA batteries 1.5V
Capacity	0.01-20kg
Tray Size	790×300mm
2 Modes	Diaper table /Baby scale
Unit Dimensions (L×W×H)	790×300×50mm

Diaper Changing Table



KS-M4

Baby Type



Baby scale



Fast measurement



No batteries



High accuracy



Easy-to-read



Large size

Features

Material	ABS+0.7cm thickness iron
Capacity	20kg
Tray Size	540×268mm
Grad	0.1kg
Unit Dimensions (L×W×H)	545×345×135mm



KS-M1 Mechanical



Weight



High accuracy



Anti-slip design



Easy-to-read



Large size



No batteries

Features

Material	0.7 cm thickness iron
Capacity	130kg/286lb
Grad	1kg/2lb
Unit	kg/lb
Unit Dimensions (L×W×H)	268×266×53mm

KS-M2 Mechanical



Weight



High accuracy



Anti-slip design



Easy-to-read



Large size



No batteries

Features

Material	1.2cm thickness chrome-plated iron
Capacity	160kg/350lb
Grad	1kg/2lb
Unit	kg/lb
Unit Dimensions (L×W×H)	458×340×102mm

Other Design



TS-H1 Height Meter



Height measurement



0.1cm accurate measurement



High accuracy



Easy-to-read



Micro USB port



Automatic switch-on

Features

Power	USB charging
Unit	cm/ft
Grad	0.1cm
Height Measurement Range	30-200cm
Unit Dimensions (L×W×H)	220×50×77mm

TS-H2 Height Meter



Height measurement



Anti-slip design



Weight



High accuracy



Easy-to-read



Large size

Features

Large Dial Diameter	20.5cm
Capacity	180kg
Grad	1kg
Height Measurement Range	84-210cm
Unit Dimensions (L×W×H)	613×319×1058mm

TS-H3 Height Meter



Height measurement



0.1cm accurate measurement



Weight



LCD display



High accuracy



Automatic switch-on

Features

Power Supply	1500 mA lithium battery type-C charging interface
Capacity	0.2-203kg
Grad	0.05kg
Height Measurement Range	83-209cm
Unit Dimensions (L×W×H)	345×500×214mm

TS-H4 Height Meter



Height measurement



0.1cm accurate measurement



Weight



LCD display



High accuracy



A wide range of measuring

Features

Power Supply	AC100V-240V,50Hz
Capacity	5-300kg
Grad	0.1kg
Height Measurement Range	20-200cm
Unit Dimensions (L×W×H)	480×370×2300mm

SK-X90 Body Composition Analysis Scale



Height measurement



0.1cm accurate measurement



Weight



LCD display



High accuracy



Automatic switch-on

Features

Power Supply	AC100V-240V, 50/60Hz
Capacity	1-200kg
Display Method	10.1 inch color color multi-touch screen
Height Measurement Range	Manual input
Unit Dimensions (L×W×H)	625×405×2375mm

SK-X9L Body Composition Analysis Scale



Height measurement



0.1cm accurate measurement



Weight



LCD display



High accuracy



A wide range of measuring

Features

Power Supply	AC100V-240V, 50Hz
Capacity	1-200kg
Display Method	10.1 inch color color multi-touch screen
Height Measurement Range	90-210cm
Unit Dimensions (L×W×H)	625×405×2375mm



BEAUTY & CARE



DENTAL CARE

P79



BEAUTY

P81



MASSAGE

P83

Description



Innovative pulse technology



Efficient cleaning



Soft silicone nozzle



Vibration 31000-38000 strokes/min



Standby for nearly 600 minutes



Dupont Bristles



Multi directional fumigation



4 Spectral detection



Partition massage



Simulated massage



Infrared hot compress



Environmentally friendly materials



Powerful motor



long battery life



Intelligent temperature control



Intelligent bonding relieve stress



Dynamic curvature traction



Water electricity separation



Positive and negative massage



Joint massage

KRI-01

Oral Irrigator



3 seconds gradually strengthening

Innovative pulse technology

Large water tank

Multi gear teeth flushing mode

Efficient cleaning

Long battery life

Features

Power Supply	DC3.7V
Material	ABS+Print
Net Weight	231g
Color Box Size	12×25×6.5cm/22×6.5×6.5cm(small)
Packing Sheet	Nozzle/Usb data cable/Instruction

Upgrade Style



KRI-02

Kids Oral Irrigator



IPX7 waterproof

Type C

Low noise

Cartoon style

Soft silicone nozzle

Three child protection modes

Features

Power Consumption	3w
Input Voltage	DC 5V
Pulsating Water Pressure	1400-1800 times/min
Water Capacity	190 ml
Pressure Range	30 -120psi

Multi color



KET-01

Electric Toothbrush



IPX7 waterproof

Type C

Low noise

Cartoon style

Soft silicone nozzle

Three child protection modes

Features

30s Interval Pause Remind	
DuPont Bristles	
Battery Life	90 days
Clean Model	3 Models
Waterproof Level	IPX7

Upgrade Style



KET-02

Kids Electric Toothbrush



USB charging

Blue light antibacterial

Deep waterproofing

Food grade Soft brush

360°no dead angle teeth cleaning

Intelligent memory

Features

Rated Voltage	3.7V
Maxium Current	≤160mA
Rated Power	0.6W
Battery Capacity	250mAh
Waterproof Rating	IPX7

Two Type Brush



KHS-01 Head Skin Tester



4 Spectral detection



11 inch high-definition display screen



16GB storage



1080P image transmission



Easy to use



Double probe

Features

Rated Power	7W
Voltage	12V/1A
Function	Detecting epidermis and UV layer
Screen	11-inch UHD LCD
Feature	Acne analysis, Pigmentation analysis, Skin Wrinkle analysis, Detect Skin Moisture

KFS-01 Facial Steamer



Big spray



Multi directional fumigation



Activate cells



Upper spray design



Deep hydration



Integrated sink

Features

Rated Power	300W
Rated Voltage	110-220V
Steam Volume	6.5g/min
Water Capacity	65ml
Frequency	50Hz

KFS-02 Steam Inhaler



Big spray



Multi directional fumigation



Activate cells



Upper spray design



Deep hydration



Integrated sink

Features

Rated Power	80/100W
Rated Voltage	110-240V
Steam Volume	3.5g/min
Water Capacity	50ml
Frequency	50/60Hz

Two Type Mask



KEM-01 Eye Massager



180° folding and portable



Skin-friendly and breathable



Comprehensive massage



Upgrade 3D Flex Airbag Massage



Four majormodes



New upgrade Bluetooth music

Features

Material	Graphene Thermal Conductive+ABS Plastic
Features	Airbag massage, second level hot compress, Bluetooth music
Rated voltage	5V
Battery Capacity	850mAh
Full Charge Usage Time	60 minutes

KM-01 Massage Gun



Multi gear adjustment



Powerful motor



Pressure sensing



One key switch



long battery life



Professional noise reduction

Features

Battery Capacity	1400 mAh
Operating Voltage	7V
Rotation Speed	1800-3200rpm
Product Size	17.4×14cm
Gear	6 gears optional

KM-02 Massage Gun



Type-C charging



Muscle massage



Selected chips



Customizable rotational speed



Lightweight and portable



Professional amplitude

Features

Battery Capacity	1600 mAh
Operating Voltage	7.4V
Rotation Speed	1800-3200rpm
Product Size	17.4×14cm
Gear	6 gears optional

KMS-01 Massage Stick



Simple operation



Low noise mute



Anti electricity protection



Simulated massage



Environmentally friendly materials



Double head massage

Features

Material	ABS+PP
Control Panel	Mechanical switch
Power line length	1.5m
Net Weight	1.1kg
Product Size	42×14×15cm

KMS-02 Pillow Massager



Simulated human massage



Vigorous pounding



Skin friendly material



The whole body can be pressed



Three levels of strength



Positive and negative kneading

Features

Material	PU
Rated Power	24W
Rated Voltage	12V
Net Weight	1.35kg
Product Size	34×12.5×38cm

KSM-01 Shoulder Massager



CE ISO



2 gears



Suitable for multiple locations



Red light hot compress



Energy saving



One click start



Intelligent temperature control

Features

Material	ABS+PU
Control Panel	Push-button
Power Line Length	1.2m
Net Weight	1.2kg
Product Size	50×38×14cm

KSM-02 Neck Massager



CE ISO



6 types of electric pulse massage modes



ABS material



Timer setting



Circular traction relieve pain



Mini portable



Intelligent bonding relieve stress

Features

Material	ABS
Rated Power	1.66W
Rated Voltage	3.7V
Battery Capacity	150mAh
Massage Duration	15mins/time

KFM-01 Foot Massager



CE ISO



Multiple modes



Deepen the large barrel



Water electricity separation



Fumigation foam



Intelligent temperature regulation



Smart screen

Features

Material	ABS
Rated Voltage	220V/50Hz
Rated Input Power	1.5m
Net Weight	1671g
Product Size	39.5×32×22.5cm

KWM-01 Waist Massager



CE ISO



PI technology rapid heating



Large area heating



Relieve menstrual pain



Three level temperature regulation



Far-infrared heating



Vibration massage

Features

Material	ABS
Rated Power	5W
Rated Voltage	3.7V
Net Weight	180g
Product Size	10×20cm

KKM-01 Knee Massager



- 9-level vibration massage
- Wear resistant fabric
- Three level temperature control
- Warm compress
- Wireless Portable
- Long battery life

Features

Material	ABS
Battery Capacity	2600 mAh
Charging time	3.0h±0.5h
Net Weight	266g
Product Size	27.8×18cm

KKM-02 Knee Massager



- Joint massage
- Silent and low-noise
- Drive away cold and dampness
- Three level hot compress
- Vibration massage
- Intelligent timing

Features

Material	ABS
Rated Power	10W
Rated Voltage	3.7V
Battery Capacity	2400mAh
Full Battery Working Time	about 90mins

KMB-01 Meridian Brush



- High-frequency vibration
- Ancient Guasha method
- Red light therapy
- Lightweight and portable
- Micro electric pulse
- Wireless operation

Features

Material	ABS
Rated Power	5W
Rated Voltage	3.7V
Net Weight	182g
Product Size	9.5×16×3.8cm

KBM-01 Back Massager










- 15 Gaussian magnets
- Timed shutdown
- Dynamic curvature traction
- Multi frequency micro vibration
- Double low-frequency pulse
- Acupoint convex point massage

Features

Material	ABS
Rated Power	22W
Rated Voltage	12V
Net Weight	1600g
Product Size	45×31×7cm



STETHOSCOPE

-  **CARDIOLOGY** P91
-  **PEDIATRIC** P91
-  **MASTER** P92
-  **SPRAGUE** P93
-  **CLINICIAN** P93
-  **PULSE** P95
-  **DUAL PULSE** P95
- ACCESSORIES** P96

Description

-  Cardiology
-  Turnable dual head
-  Suitable for adults and children
-  Stainless steel material
-  Medical pvc tube
-  Sound very clearly
-  Pediatric
-  Comfortable
-  Closed earplugs
-  Easy to carry
-  Suitable for hospital and family
-  Clinician use

KS-2025 Cardiology



Cardiology



Turnable dual head



Suitable for hospital and family



Suitable for adults and children



Stainless steel material



Sound very clearly

Features

Chestpiece	Stainless steel
Binaurals	Stainless steel/Silicone
Tube	19" PVC A tubing style
Diameter of Head	32/46mm

Dual Diaphragm Edition



Suspension Diaphragm Edition



KS-2027 Pediatric



Pediatric



Turnable dual head



Suitable for hospital and family



Medical pvc tube



Stainless steel material



Sound very clearly

Features

Chestpiece	Stainless steel
Binaurals	Stainless steel/Silicone
Tube	Flexible 22" PVC tubing
Diameter of Head	30/39mm

Multicolor Tube



KS-2032A Cartoon



Pediatric



Comfortable



Suitable for hospital and family



Medical pvc tube



Stainless steel material



Sound very clearly

Features

Chestpiece	Stainless steel
Binaurals	Stainless steel/Silicone
Tube	Flexible 22" PVC tubing
Diameter of Head	37mm

Multi Cartoon Head



KS-2055 Master-Lite



Comfortable



Closed earplugs



Suitable for hospital and family



Medical pvc tube



Stainless steel material



Sound very clearly

Features

Chestpiece	Zinc alloy
Binaurals	Stainless steel/PVC
Tube	Flexible 22" PVC tubing
Diameter of Head	46mm

A-Shape Tube Edition



Black and Gold-Plated Edition



KS-2015
Sprague



- Suitable for hospital and family
- Suitable for adults and children
- Turnable dual head
- Medical pvc tube
- Comfortable
- Sound very clearly

Features

Chestpiece	Zinc alloy
Binaurals	Aluminium alloy/PVC
Tube	22" PVC straight tubing
Diameter of Head	31/45mm

Black and Gold-Plated Edition



KS-2026
Clinician



- Clinician use
- Suitable for adults and children
- Turnable dual head
- Medical pvc tube
- Stainless steel material
- Sound very clearly

Features

Chestpiece	Stainless steel
Binaurals	Stainless steel/Silicone
Tube	Flexible 22" PVC tubing
Diameter of Head	36/46mm

A-Shape Tube Edition Black Edition Dual Diaphragm Edition



Suspension Diaphragm

KS-2026B
Gold and Colorful Clinician



- Clinician use
- Suitable for adults and children
- Turnable dual head
- Medical pvc tube
- Stainless steel material
- Sound very clearly

Features

Chestpiece	Stainless steel
Binaurals	Stainless steel/Silicone
Tube	Flexible 22" PVC tubing
Diameter of Head	36/46mm

Color and Black Edition



KS-2057
Clinician



- Clinician use
- Suitable for adults and children
- Turnable dual head
- Medical pvc tube
- Comfortable
- Sound very clearly

Features

Chestpiece	Aluminium alloy
Binaurals	Aluminium alloy/PVC
Tube	Flexible 22" transparent PVC tubing
Diameter of Head	31/45mm

Multicolor



KS-2035
Pulse



-  Suitable for hospital and family
-  Comfortable
-  Closed earplugs
-  Medical pvc tube
-  Easy to carry
-  Sound very clearly

Features

Chestpiece	Aluminium alloy
Binaurals	Aluminium alloy/PVC
Tube	21" PVC tubing Tube
Diameter of Head	45mm

Multicolor



KS-2045
Dula Pulse



-  Suitable for adults and children
-  Turnable dual head
-  Closed earplugs
-  Medical pvc tube
-  Comfortable
-  Sound very clearly

Features

Chestpiece	Aluminium alloy
Binaurals	Aluminium alloy/PVC
Tube	21" PVC tubing
Diameter of Head	30/45mm

Multicolor



Accessories

Chestpiece



Tube



Color	Pantone Code	Color Swatch
Yellow		1225C
Red		1797C
Pink		212C
Green		3288C
Blue		286C
Light Blue		298C
Grey		7C
Purple		7677C
Black		Black 6 C
Dark Blue		281C



ANEROID SPHYGMOMANOMETERS



ANEROID SPHYGMOMANOMETER P101



ANEROID/STETHOSCOPE KIT P102



PALM ANEROID SPHYGMOMANOMETER P104



MOBILE ANEROID SPHYGMOMANOMETER P106

ACCESSORIES P107

Description



Suitable for hospital and family



Cuff not easy to fall off



Easy-to-read



Inflation bulb Easy to use



High accuracy



Storage bag



Pediatric



Aneroid sphygmomanometer with stethoscope



ABS plastic case



Easy to carry



Palm model



One-handed Use



Large dial

HOW TO OPERATE



1 Place the stethoscope at the intersection of the blood vessels



3 Make the armband point at the intersection of the blood vessels



5 Observe the instructions of the sphygmomanometer



7 When the first pulse sound is heard, it is considered to be high pressure and contraction. If you continue to deflate, you can hear a strong pulse sound through the stethoscope, and gradually lighten it until you hear a smoother than normal pulse sound. At this time, the blood vessel is considered to be completely uncompressed, and it is regarded as low pressure.



2 Place the stethoscope at the intersection of the blood vessels



4 Air pressure in the balloon squeezing blood vessels



6 Slowly deflate, pay attention to the sound of pulse

FR-01 Aneroid Sphyg



- Suitable for hospital and family
- Cuff not easy To fall off
- Easy-to-read
- Inflation bulb Easy to use
- High accuracy
- Storage bag

Features

Measuring Range	From 0 - 300mmHg with non stop pin
Cuff	Adult Velcro calibrated nylon /Cloth cuff
Power Source	Manual inflation
Valve	Standard air release

D-ring Cuff Edition



FR-13 Aneroid Sphyg



- Suitable for hospital and family
- Cuff not easy To fall off
- Easy-to-read
- Inflation bulb Easy to use
- High accuracy
- Storage bag

Features

Manometer Calibrated	From 0 - 300mmHg with non stop pin 90-140mmHg with red marking
Cuff	Adult Velcro calibrated nylon /Cloth cuff
Power Source	Manual inflation
Valve	Standard air release

FR-17 Pocket Aneroid/Scope Kit



- Suitable for hospital and family
- Aneroid sphygmometer with stethoscope
- Easy-to-read
- Inflation bulb Easy to use
- High accuracy
- Storage bag

Features

Aneroid Sphygmomanometer	Adult type
Stethoscope	Single head
Power Source	Manual inflation
Valve	Standard air release

FR-26 Pocket Aneroid/Clinician Scope Kit



- Suitable for hospital and family
- Aneroid sphygmometer with stethoscope
- Easy-to-read
- Inflation bulb Easy to use
- High accuracy
- Storage bag

Features

Aneroid Sphygmomanometer	Adult type
Stethoscope	Color-matched professional clinician
Power Source	Manual inflation
Valve	Standard air release

FR-01 Pocket Aneroid/Sprague Kit



Suitable for hospital and family



Aneroid sphygmometer with stethoscope



Easy-to-read



Inflation bulb Easy to use



High accuracy



Storage bag

Features

Aneroid Sphygmomanometer	Adult type
Stethoscope	Color-matched sprague-rappaport
Power Source	Manual inflation
Valve	Standard air release

FR-13 Kids Pocket Aneroid/Scope Kit



Suitable for hospital and family



Aneroid sphygmometer with stethoscope



Pediatric



Inflation bulb Easy to use



High accuracy



Storage bag

Features

Aneroid Sphygmomanometer	Kids type
Stethoscope	Single head
Power Source	Manual inflation
Valve	Standard air release

Infant Type

Child Type



FR-17 Palm Aneroid/Sprague Kit



Suitable for hospital and family



Palm model



One-handed Use



Easy to carry



High accuracy



Storage bag

Features

Measuring Range	From 0-300mmHg with non stop pin
Power Source	Manual inflation
Manometer Material	Heavy duty chrome plated zinc
Dial	50/68mm

Calibratable



FR-26 Palm Aneroid Sphyg



Suitable for hospital and family



Palm model



One-handed Use



Large dial



ABS plastic case



Storage bag

Features

Measuring Range	From 0-300mmHg with non stop pin, 90-140mmHg with red marking
Power Source	Manual inflation
Manometer Material	ABS plastic case
Dial	60mm

Twin Tube Edition



FR-34 Palm Aneroid Sphyg



- Suitable for hospital and family
- Palm model
- One-handed Use
- Large dial
- High accuracy
- Storage bag

Features

Measuring Range	From 0-300mmHg with non stop pin
Manometer Material	Heavy duty chrome plated zinc alloy
Power Source	Manual inflation
Dial	68mm

Twin Tube Edition



FR-26 Palm Aneroid Sphyg



- Suitable for hospital and family
- Palm model
- Easy-to-read
- Easy to carry
- High accuracy
- Storage bag

Features

Measuring Range	From 0-300mmHg with non stop pin
Manometer Material	Heavy duty chrome plated zinc alloy
Power Source	Manual inflation
Dial	50/68mm

60m Scale Edition



FR-30 Desk Aneroid Sphyg



- Suitable for hospital and family
- Cuff not easy to fall off
- One-handed Use
- Inflation bulb Easy to use
- High accuracy
- Storage bag

Features

Measuring Range	From 0-300mmHg with non stop pin
Manometer Material	ABS plastic case
Power Source	Manual inflation
Dial	6 inch

Customized Color



FR-31 Mobile Aneroid Sphyg



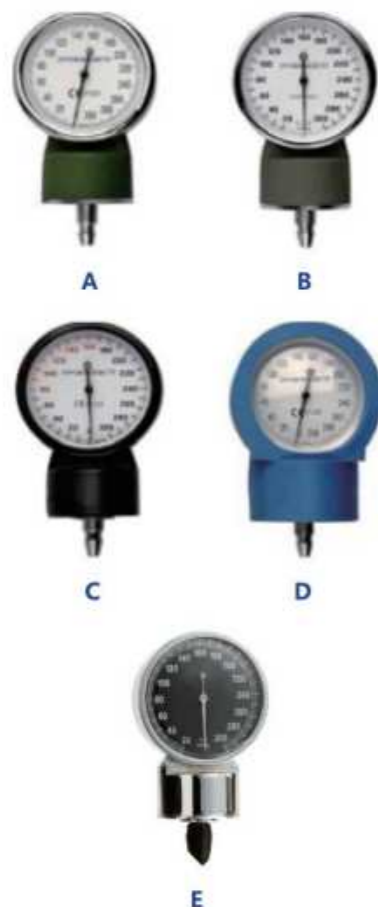
- Suitable for hospital and family
- Cuff not easy to fall off
- Easy-to-read
- Inflation bulb Easy to use
- High accuracy
- Storage bag

Features

Accessory	Base with 5 castors and locking bracket
Swivels Up	110 degrees for side-angle
Stand Column	This apparatus a two-piece stand column which easily adjustable 110cm to 150cm
Dial	6 inch

Accessories

Aneroid Manometer



Description

A	Stop pin type
B	Non stop pin type
C	Black static-painting
D	Color powder-coating
E	Chrome-plated

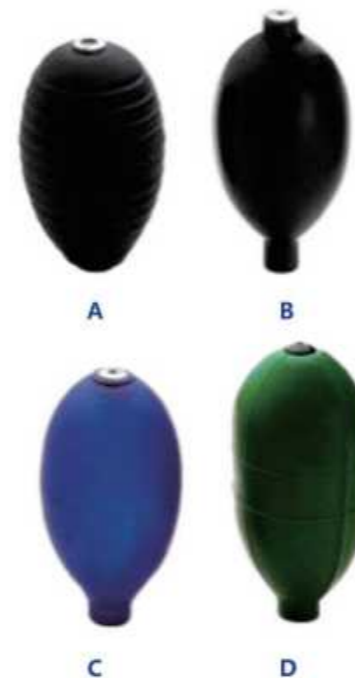
Bladder and Cuff



Description

	PVC BLADDER	LATEX BLADDER	CUFF
New Born	40×80mm	40×80mm	210×60mm
Infant	110×60mm	110×60mm	250×70mm
Child	170×90mm	170×90mm	350×110mm
Adult	220×120mm	220×120mm	530×145mm
Large Adult	310×140mm	310×140mm	650×185mm
Thigh	350×170mm	350×170mm	785×220mm

Bulb W/ End Valve



Description

A	Pvc ribbed bulb with taper metal net and end valve
B	Standard latex bulb with end valve
C	Standard PVC bulb with end valve
D	Rubber bulb with plastic end valve

Air Release Valve



Description

A	Plastic push-button air release valve
B	Deluxe air release filter valve with spring
C	Premium air release filter valve with spring
D	Standard air release valve with spring
E	Copper connector



ENT DIAGNOSTIC INSTRUMENTS



OTOSCOPE P113



OPHTHALMOSCOPE P114



OTOSCOPE & OPHTHALMOSCOPE P115



DIAGNOSTIC PENLIGHT P116



NEUROLOGICAL HAMMER P116

Description

- 3X magnification
- Ergonomic handle
- USB desktop charger
- Otoscope & ophthalmoscope set
- Updated structures
- Otoscope
- Easy to carry
- LED white / LED sunlight
- Interchangeable tips
- Inside bulb
- Larger view window
- Gift box
- Re-usable & Washable ear tips
- 5 Apertures for option

How to use

OTOSCOPE



- 1** / push down the switch to on the device



- 3** / Installation of ear speculum



- 2** / choose a right size ear speculum



- 4** / Diagnose by aiming the light to the patients' ears

OPHTHALMOSCOPE



- 1** / Aluminium alloy/PVC



- 3** / Adjust the aperture here



- 2** / Push the two sides of the diopter wheel in the mean time to screw for aperture selection



- 4** / Diagnose by aiming the light to the patients' eyes

VM-T200

Direct Illumination Otoscope



3X magnification



LED white /LED sunlight



Ergonomic handle



Interchangeable tips



Re-usable & Washable ear tips



Inside bulb

Features

Power Supply	2×AA batteries 1.5V
Magnification	3X
Light	LED white/LED sunlight
Illumination	Direct Illumination, non-fiber optic

Package



VM-T100

Fiber Optic Illumination Otoscope



Larger view window



3X magnification



LED white /LED sunlight



Interchangeable tips



Re-usable & Washable ear tips



Inside bulb

Features

Power Supply	0.5W 1600mAh
Magnification	3X
Light	LED white/LED sunlight
Illumination	Fiber optic

Multicolor



Rechargeable Edition



VM-P100

Direct Illumination Ophthalmoscope



Direct ophthalmoscope



LED white /LED sunlight



5 Apertures for option



Updated structures



Gift box



Ergonomic handle

Features

Power Supply	2×AA batteries 1.5V
Range of Optical glass lenses	-20d~+20d
Light	LED white/LED sunlight
Illumination	Direct Illumination, non-fiber optic

Multicolor



Rechargeable Edition



VM-TP201

Otoscope & Ophthalmoscope Set



Otoscope & ophthalmoscope set



5 Apertures for option



LED white /LED sunlight



Updated structures



Ergonomic handle



Gift box

Features

Power Supply	2×AA batteries 1.5V
Otoscope	VM-T200
Ophthalmoscope	VM-P100
Accessory	Single handle, 8pcs ear tips

Package



VM-TP302 Otoscope & Ophthalmoscope Set



Otoscope & ophthalmoscope set



5 Apertures for option



LED white / LED sunlight



Updated structures



Ergonomic handle



USB desktop charger

Features

Power Supply	2×AA batteries 1.5V
Otoscope	VM-T100
Ophthalmoscope	VM-P100
Accessory	Two handle, 8pcs ear tips

Rechargeable Edition



HS-402F3 General Optic Otoscope



Otoscope



Re-usable & Washable ear tips



Interchangeable tips



Inside bulb



Easy to carry



Gift box

Features

Power Supply	2×AAA batteries 1.5V
Size	147×53mm
Package	Blister/Plastic box
Color	White, black

Package



HS-401F3 Diagnostic Penlight



Features

Power Supply	2×AAA batteries 1.5V
Size	127×15mm
Material	Aluminium alloy

Multicolor



KS-0204 Neurological Hammer



Features

Size	225×73mm
Used for	Testing reflexed and measuring nerve sensitivity
Accessory	A removable needle and brush

Taylor Edition



Babinski Edition

